

Marine Small GPS/ GLONASS Antenna

MODEL: MA-620GL

Small size and ruggedness, demand of vehicle locating and marine navigation GPS/ GLONASS antenna that will sustain harsh environment.



- Low noise figure
- Fully weather proof.
- Ultra-high Sensitivity
- Compact construction
- Excellent temperature stability
- FB3A SUS L-Mounting 1"-14 UNS

Specifications:

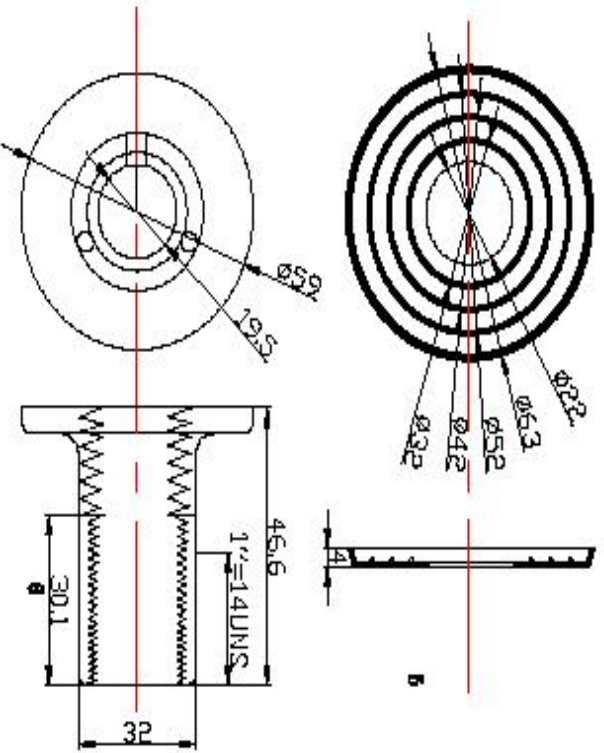
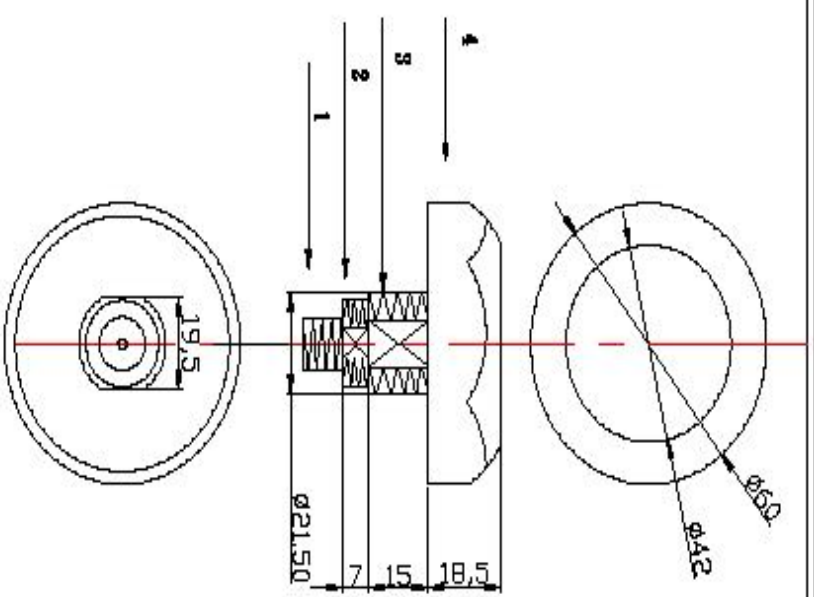
PHYSICAL CONDITION	
Constructions:	Polycarbonate radome, detachable cable/connector for easy mount, rubber-O-ring between top radome and screw base for waterproof
Dimensions:	60mm(Dia.) x 70mm(H)
Weight:	200grams (w/o cable & connector).
Color:	Standard in ivory white, other colours available upon request.
Mounting:	Bulkhead mount with 0.8 inch threaded wing nut (standard accessory).
Mounting Adapters	Pole mount to 1"-14 UNS threaded mast
Base mounting	FB3A SUS L-MOUNTING 1"-14 UNS
Cable & Connector	
RF cable:	SMA(M) +10 meter RG58 +TNC(M) (standard) other length (optional)
Pulling strength:	6 Kg @ 5sec. molded plastic on connector end for strain relief.
Connector	SMA(F) or TNC(F)
Antenna Element	
Center Frequency:	1575Mhz & 1596-1610 MHz
Polarization:	R.H.C.P. (Right Handed Circular Polarization).
Bandwidth	10 MHz min. @S11≤-10 dB, 24MHz typ. @S11<-8dB
Gain @ 10° Elevation:	2 dBi typical.
Axial Ratio:	3 dB max.
Output VSWR:	1.5 max
Output Impedance:	50 ohm

Low Noise Amplifier	
Power Gain:	1570 Mhz : 29db typ 1610 Mhz : 29db typ
Bandwidth:	50 MHz min.
Noise Figure:	1.5 typ
Outer Band Attenuation:	20 dB min. @ Fo +/-50 Mhz.
Supply Voltages:	2.3~5.5V DC.
Current Consumption:	2.5V : 6.6mA Typ. 3V : 8.6mA Typ. 4V : 12.6mA Typ. 5V : 16.6mA Typ.
Output Impedance:	50W ohm
Overall Performance: (antenna element, LNA & coax cable)	
Center Frequency:	1570 ~1620 Mhz.
Gain:	At 90° vertical to sky 30 ± 4.5 dBi (cable loss) Note:1 Mounted on the 60mm x 60mm square ground plane
Noise Figure:	2.0 max.
Axial Ratio:	3 dB max.
Bandwidth:	10MHz min.
VSWR:	2.0 max.
Output Impedance:	50W ohm
Environmental	
Operating Temperature:	-40°C~ +85°C.
Storage Temperature:	-40°C~ +90°C.
Relative Humidity:	95% non-condensing.
Water Resistance:	100% waterproof.

* This specification is subject to change without prior notice

Data Updated: NOV.01, 2012





7	WALCO PISTON MOUNT TO 1"-14 UNF6-32
6	WHITE PLASTIC BEARING HOLES
5	WHITE PLASTIC BEARING HOLES
4	WHITE PLASTIC BEARING HOLES
3	ALUM. ALLOY BEARING HOLES
2	ALUM. ALLOY BEARING HOLES
1	ALUM. ALLOY BEARING HOLES
TITLE	DESCRIPTION
DATE	REV. 1
DESIGNER	JINSHI
CHECKER	YUNO

百展科技发展有限公司	TEL: 866-3-85740169
BATEX MANUFACTURING INC	FAX: 866-3-86720161
TYPE: 038 Permanent Mount Bottoms	DRG NO: 10000000000000000000
TOLERANCE: AS SPEC. FINISH: SEE PARTS LIST	DATE: 2011.01.04
APPROVAL: SEE DRAWING ASSIGNED: N/A	SCALE: 1:1
	CHECKED: JINSHI

Marine Antenna Base mounting

MODEL: FB-3A



1"-14 UNS threaded mast SUS304/C3604

Locks on the truck rear-view mirror or on iron stand or flagpole

