

Marine VHF Antenna

MODEL: MVA-1400

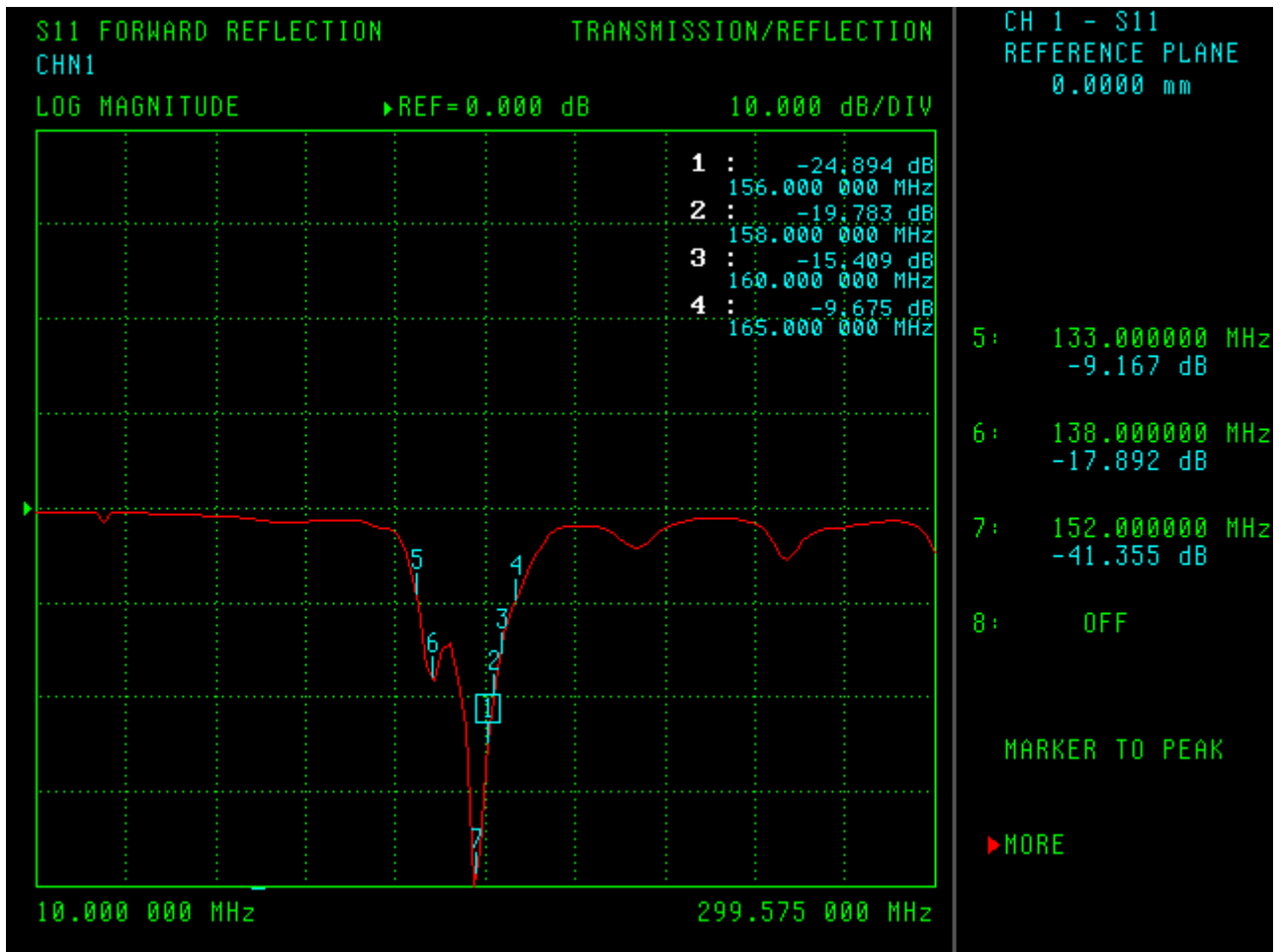
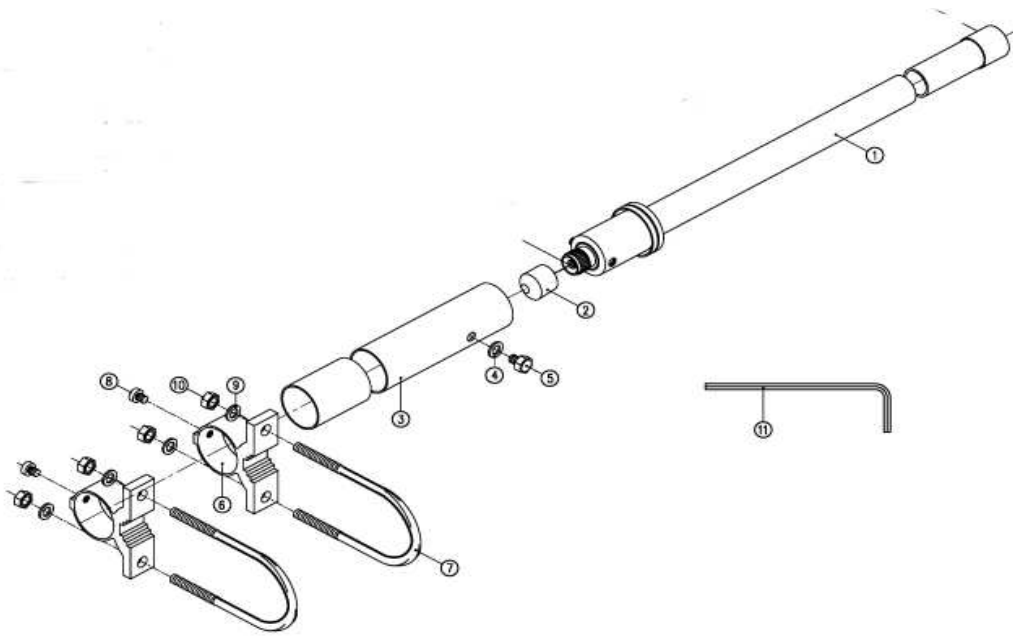
MarineVHF Radio & AIS SYSTEM & Orbcomm



Specifications:

Marine VHF ANTENNA	
Fr :	135 ~ 165 Mhz
Gain:	3 dB
Configuration :	1/2 wave
VSWR	<2.0
Impedence:	50 ohm
Connector:	N
Ground	without
Dimension:	1400mm
Weight:	1Kg

* This specification is subject to change without prior notice



S11 FORWARD REFLECTION

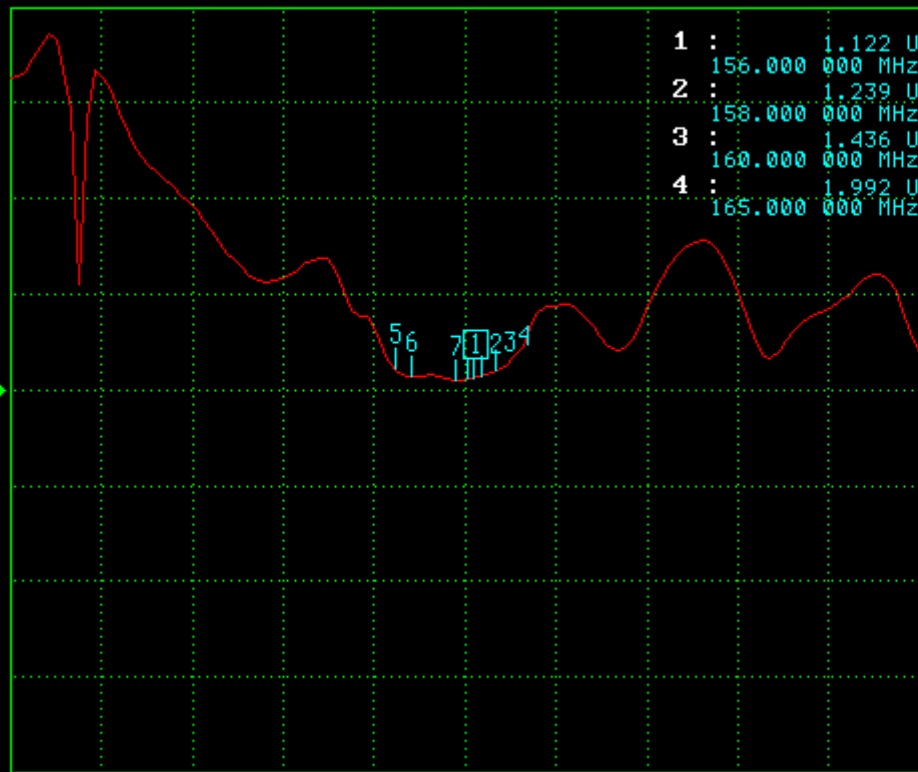
TRANSMISSION/REFLECTION

CHN1

SWR

REF=0.000 pU

10.000 U/DIV



10.000 000 MHz

299.575 000 MHz

CH 1 - S11

REFERENCE PLANE

0.0000 mm

5: 133.000000 MHz
2.154 U

6: 138.000000 MHz
1.294 U

7: 152.000000 MHz
1.019 U

8: OFF

MARKER TO PEAK

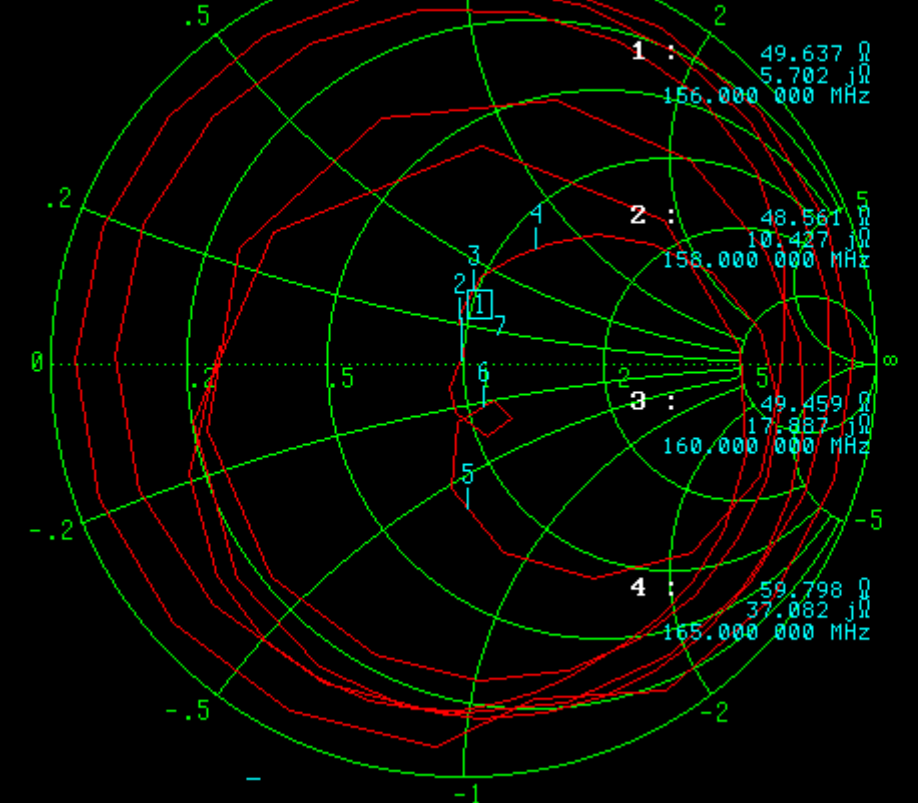
►MORE

S11 FORWARD REFLECTION

TRANS/REFL

IMPEDANCE

CHN1



10.000 000 MHz - 299.575 000 MHz

CH 1 - S11

REFERENCE PLANE

0.0000 mm

5: 133.000000 MHz
39.240 Ω
-32.267 jΩ

6: 138.000000 MHz
54.510 Ω
-11.691 jΩ

7: 152.000000 MHz
49.826 Ω
406.778 jmΩ

8: OFF

MARKER TO PEAK

►MORE