

# Marine VHF Antenna

## MODEL: MVA-1400B

### MarineVHF Radio & AIS SYSTEM

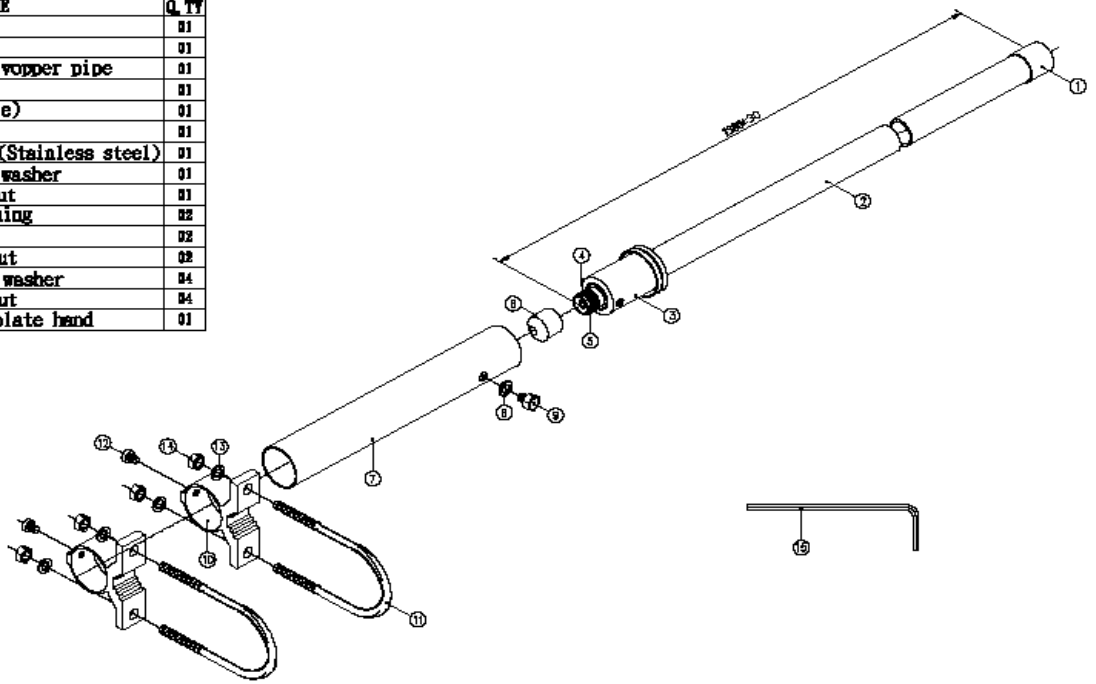



#### Specifications:

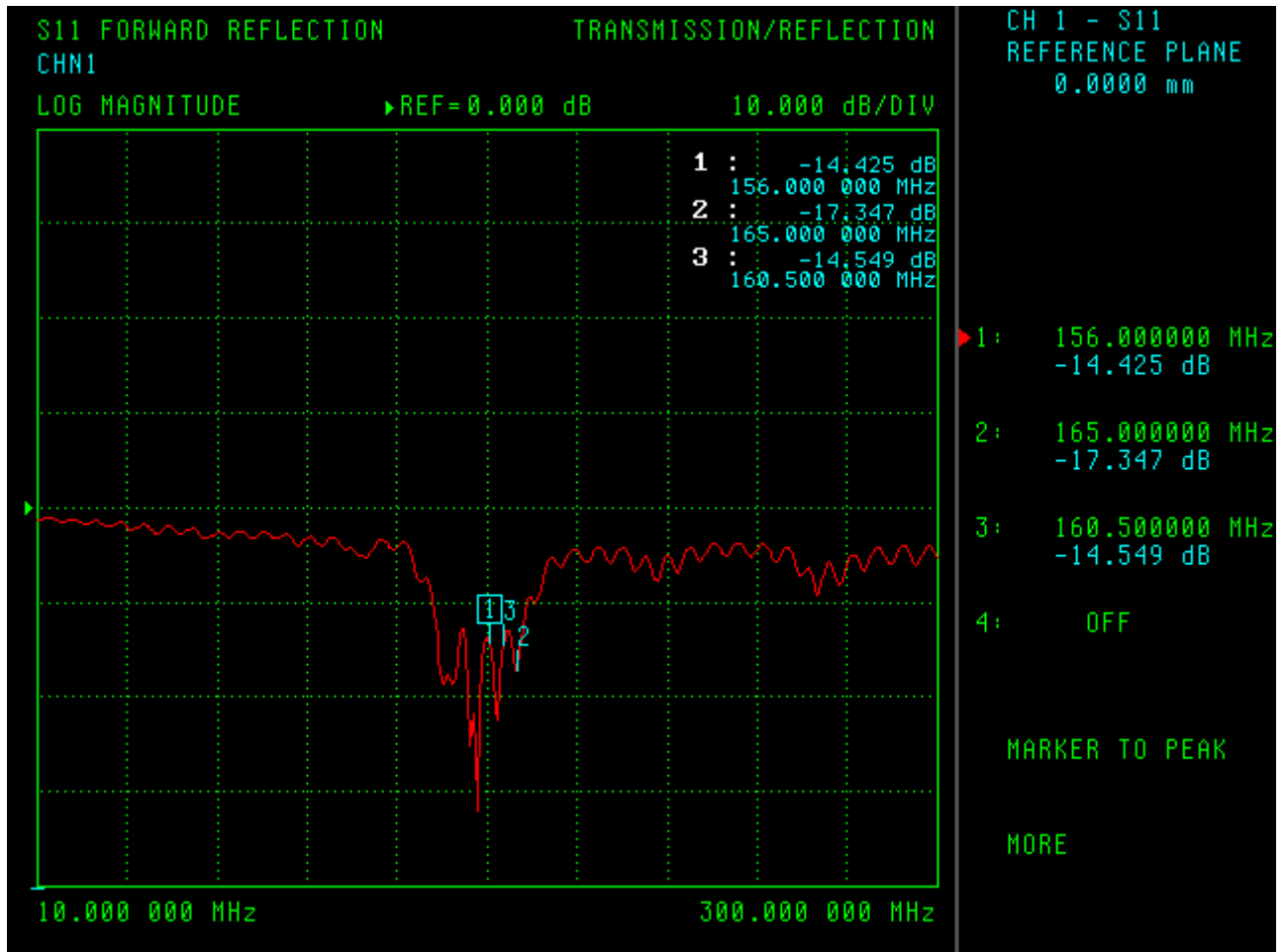
<b>Marine VHF ANTENNA</b>	
<b>Fr :</b>	<b>156 ~ 165 Mhz</b>
<b>Gain:</b>	<b>3 ~6dB</b>
<b>Configuration :</b>	<b>1/2 wave</b>
<b>VSWR</b>	<b>2.0:1</b>
<b>Impedence:</b>	<b>50 ohm</b>
<b>Connector:</b>	<b>PL259(F)</b>
<b>Ground</b>	<b>without</b>
<b>Dimension:</b>	<b>1380mm</b>
<b>Weight:</b>	<b>1Kg</b>

\* This specification is subject to change without prior notice

NO.	NAME	Q. TY
01	Top cap	01
02	Fiberglass	01
03	Connecting copper pipe	01
04	Screw set	01
05	PL250(Female)	01
06	Cap	01
07	Copper tube(Stainless steel)	01
08	Round iron washer	01
09	Hexagonal nut	01
10	Clip retaining	02
11	U-Circlelip	02
12	Hexagonal nut	02
13	Round iron washer	04
14	Hexagonal nut	04
15	Hexagonal plate hand	01



 Third angle projection		CUSTOMER'S	MODEL	PARTS NUMBER	FREQUENCY	UNIT	SCALE	DATE	VERSION
					156~165MHz	M/M		20090504	1
		TOLERANCE	X. XX±0.15	NAME	PARTS NUMBER	APPROVED	CHECKED	DRAWING	DESIGNED
		SURFACE ROUGHNESS	$\sqrt{R}$	APPEARANCE					



S11 FORWARD REFLECTION

TRANSMISSION/REFLECTION

CHN1

SWR

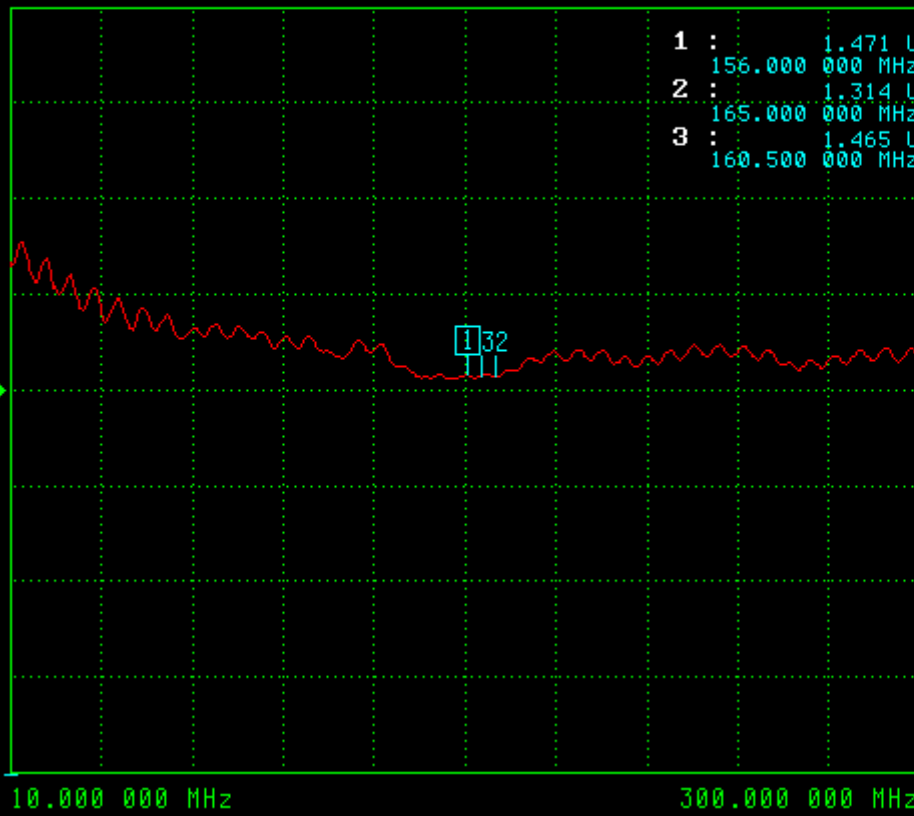
REF=0.000 pU

10.000 U/DIV

CH 1 - S11

REFERENCE PLANE

0.0000 mm



1: 156.000000 MHz  
1.471 U

2: 165.000000 MHz  
1.314 U

3: 160.500000 MHz  
1.465 U

4: OFF

MARKER TO PEAK

MORE

S11 FORWARD REFLECTION

TRANS/REFL

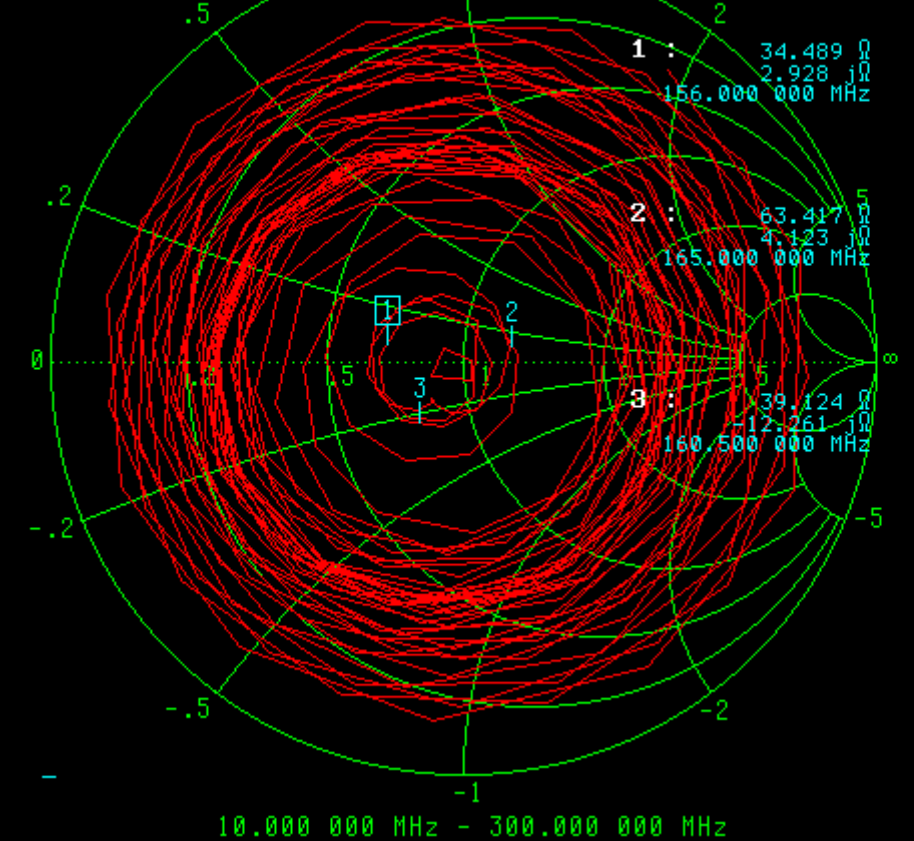
IMPEDANCE

CHN1

CH 1 - S11

REFERENCE PLANE

0.0000 mm



1: 156.000000 MHz  
34.489 Ω  
2.928 jΩ

2: 165.000000 MHz  
63.417 Ω  
4.123 jΩ

3: 160.500000 MHz  
39.124 Ω  
-12.261 jΩ

4: OFF

MARKER TO PEAK

MORE